

Cummins Generator

Prime: 400KW/500KVA
Standby: 440KW/550KVA

Technical Data

Model		550kva
Prime power	kva	500
	kw	400
Standby power	kva	550
	kw	440
Rated voltage line to line	V	400
Rated current	A	722
Maximun sound level	dB@7m	75

Engine-Cummins

Model		QSZ13-G3
Aspiration		Four-stroke,water-cooled,in-line,direct injection,turbocharged, charged air cooled
Fuel system		HP CR
No. cylinders		6
Displacement	L	13
Bore*Stroke	mm	130x163
Compression ratio		17.0:1
Rated speed	r/min	1500
Governor		Electric system
Engine wet weight	kg	1310
Engine idel speed		750-850
Fire order		1-5-3-6-2-4
Start Motor	V	24

Exhaust System

Max exhaust back pressure	kPa	13
---------------------------	-----	----

Air intake System

Max inlet pressure (Dirty air)	kPa	6,2
Max inlet pressure (Clean air)	kPa	3,2

Fuel System

110% load(Standby power)	L/h	105,5
100% load(Prime power)	L/h	101
75% load(Prime power)	L/h	74,2
50% load(Prime power)	L/h	48,9
25% load(Prime power)	L/h	26
Fuel capacity for silent genset	L	800
Fuel capacity for open genset	L	800

Lubrication System

Idle speed oil pressure	kPa	82,7
Governed speed oil pressure	kPa	276-414
Max Oil temp	°C	121
Oil capacity	L	45,42

Cooling System

Coolant capacity--Engine only	L	23,1
Max coolant friction head to engine	Kpa	35
Max water temp standby/prime powe	°C	110/104

Standard Features

Engine(Cummins ENGINE)	●
Radiator 50°C max,fans are driven by belt	●
24V charge alternator	●
Alternator: single bearing alternator IP23	●
insulation class H/H	●
Standard auto control system	●
One set of air filter, fuel filter, oil filter	●
Main line circuit breaker / ACB	●
Base fuel tank	●
Two 24V batteries, rac and cable	●
Exhaust system(Ripple flex exhaust pipe)	●
Exhaust siphon, flange, muffler	●
User manual	●
Battery charge	●
Water heater	●

Options

Alternator heater	<input type="radio"/>
PMG	<input type="radio"/>
Water oil separator	<input type="radio"/>
Daily fuel tank	<input type="radio"/>
Remote control panel	<input type="radio"/>
Automatic transfer switch/ATS	<input type="radio"/>
Switch box	<input type="radio"/>
Standard: ●	Options: ○

Alternator

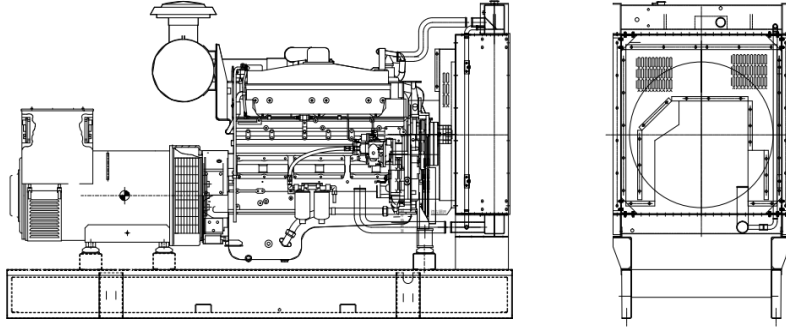
Model		TAL-A473-C
Alternator Brand		Leroy Somer
Phase		3
Voltage	V	400
Wiring Type		6 wires
Bearing		1
Power factor		0,8
Frequency	Hz	50
Prime power	KVA	500
Exciter Type		Brushless, self-excitation
Voltage regulation	%	±0.5
Protection Grade		IP 23
Insulation grade		H

Controller-Deepsea

Model	DSE 7320
7 digital display	
Built-in governor and AVR control	
Base load (kW export) functionality	
Mains (utility) de-coupling protection	
Generator power (kW, kVA) monitoring	
Overload (kW & kV Ar) protection	
Emergency stop	
Start failure	

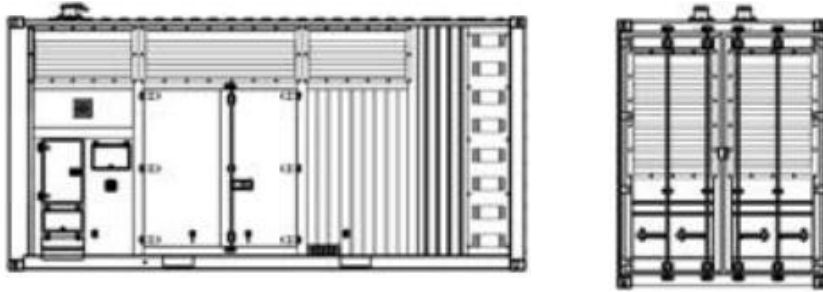


Unit Dimensions(Basic unit)



Open Type

L*W*H	mm	3300x1650x2000
Weight	kg	3850



Silent Type

L*W*H	mm	4250*1600*2450
Weight	kg	4460

Warranty

Cummins Engine

12 months from date of purchase or 1000 hours.

Generator

12 months from date of purchase or 1000 hours

(whichever comes first).