

## Technical specifications

Diesel Generator Set

Frequency: 50HZ

# QIS 65

Voltage: 400/230 V

Frequency: 50HZ



Genset Image for illustration purposes only

### TECHNICAL INFORMATION

Standby Power (ESP)	kVA	64
	kW	51
Prime Power (PRP)	kVA	60
	kW	48
Rated current 3ph (LTP)	A	91,7
Mechanical structure		Soundproofed
Engine		CUMMINS 4BTA3.9-G2
Alternator		ATLASCOPCO ACA225D
Control card		DEEP SEA 4620
Measures (L x W x H) mm 2.220	mm	2.280 x 0.980 x 1.265
Empty weight	kg	1175
Fuel tank	L	104
Acoustic pressure, LpA	dB(A) a 7	70
Acoustic power LwA	dB(A)	96

Voltages	Prime Power (PRP)		Standby Power (ESP)	
	(kVA)	(kW)	(kVA)	(kW)
380/220	60	48	64	51
400/230	60	48	64	51
415/240	60	48	64	51

#### Notes:

PRIME POWER: Electrical power data available at a variable load without limits of hours per year. An overload of 10 % is allowed for 1 hour of every 12. In accordance with ISO 8528/1 (2005) – PRP

STANDBY POWER: Electrical power data at variable load in an emergency in accordance with standard ISO 8528/1 (2005) – ESP. Overloads of emergency power are not allowed.

The standard reference conditions are: 25 °C, 100 kPa and 30% relative humidity. Diesel density: 0.835 g/cm3.

## General description

Specifically developed for the industrial applications, this stationary soundproof generator set is easy to use and straightforward to maintain. The available features & options are designed to fully meet the requirements of all industrial applications. The generator set will automatically start on mains failure and cool down and stop as soon as the mains come back. The generator set also controls the load transfer between mains (utility) and generator set. It can also be start-up by means of an external signal.

It's your solution for Predictable Power.

## Engine

4BTA3.9-G2 CUMMINS diesel 4 stroke engine, with turbo, with direct injection and electronic regulation of the engine speed.

<b>Engine brand</b>	CUMMINS	<b>Engine Capacity (l)</b>	3,9
<b>Model</b>	4BTA3.9-G2	<b>Bore (mm)</b>	102
<b>R.P.M.</b>	1500	<b>Stroke (mm)</b>	120
<b>Fuel</b>	Diesel	<b>Compression ratio</b>	17.3:1
<b>No. of cylinders</b>	4 L	<b>Type of regulation</b>	Electrical

## Cooling System

Cooling of the sleeves using cooling fluid comprised of water and glycol at 50% in a closed circuit driven by the engine pump.

The circuit is completed with a blower fan driven by the engine, radiator, expansion tank, cooling fluid purge system towards the outside of the bedplate and protections of all the running surfaces.

<b>Cooling type</b>	Water	<b>Limit ambient temperature (°c)</b>	40
<b>Coolant capacity (l)</b>	9		

Coolant heater with heating element is available as an option. An adjustable thermostat is included to maintain the temperature at optimum range and facilitate the starting of the engine.

<b>Coolant heater power (W)</b>	1 x 1000W		
---------------------------------	-----------	--	--

## Lubrication System

The lubrication system of this diesel engine comprises the oil pan, oil filter, oil switch and gear oil pump driven by the engine. All the components are original from the engine manufacturer.

It can be completed by an optional manual oil sump drain pump.

<b>Oil capacity (l)</b>	9,5		
-------------------------	-----	--	--

## Air intake system

Air intake system for combustion with filtering device and filter change indicator; originals from the engine manufacturer. Intake air cooling after the turbo by means of an air/air exchanger.

<b>Intake air flow (m<sup>3</sup>/min)</b>	3,3		
--	-----	--	--

## Exhaust System

The exhaust system consists of pipes, bellow, interior and exterior aluminized steel exhaust silencer that is highly resistant to corrosion, rain cap and hot part protections.

<b>T<sup>a</sup> gas emission (°C)</b>	538	<b>Engine Capacity (l)</b>	3,9
<b>Gas flow (m<sup>3</sup>/min)</b>	8,9	<b>Outlet diameter (")</b>	
<b>Number of exhaust</b>	1		

## Start System

Start system that uses an electrical motor, battery and battery charge alternator that is driven by the engine itself. The start motor and the battery charge alternator are originals from the engine manufacturer.

<b>Starter voltage system (V)</b>	12	<b>Battery type</b>	2 x 12V 45Ah
-----------------------------------	----	---------------------	--------------

## Fuel supply system

The fuel system consists of a fuel tank, feed pump, water separator fuel filter including 30 microns filtering element, injection pump and injection nozzles.

The fuel tank is made from plastic to prevent rust and includes a filling connection with cap and key, a cleaning hatch and draining plug for easier maintenance. The fuel level is controlled thanks to a fuel level sensor with an analogue gauge mounted in the control cubicle.

<b>Fuel tank capacity (L)</b>	104
-------------------------------	-----

## Fuel consumption panel

(range according to the standard configuration)

Load	Prime Power (PRP)		Standby Power (ESP)	
	(l/h)	Range (h)	(l/h)	Range (h)
0%	2,9	36	2,9	36
50%	7,1	15	7,9	13
75%	10,1	10	10,9	10
100%	13,3	8	13,4	8

## Alternator

Atlas Copco alternator with 4 poles, with a lifetime lasting greased bearing, H class insulation, without brushes, 2/3 pitch and AVR (Automatic Voltage Regulator)

Protection of all the windings by means of 2-part high quality polyester resin impregnation. The stator windings receive a double impregnation. Final finish with a coat of EG43 varnish.

Shunt excitation system that provides overload of 1,6 times the nominal current. The auxiliary winding as optional with overload capacity 3 times the nominal current for 20 s.

Joining of engine and alternator through flexible disc coupling.

**Regulations:**

- IEC 34-1
- GB 755
- EN 60034
- VDE 0530
- BS 5000
- NEMA MG1-22
- ISO 8528:3

**Low wave distribution:**

- THC < 5%
- THD < 5%
- THF (IEC) < 2%
- TIF (NEMA) < 50

Incorporates electromagnetic emissions suppressor in accordance with standard VDE 0875, class K.

<b>Engine brand</b>	Atlas Copco	<b>Voltage Stability</b>	±1%
<b>Model</b>	ACA225D	<b>Performance at 75% p.f. 0.8 (%)</b>	90
<b>Alternator Power (kVA)</b>	60	<b>Performance at 100% p.f. 0.8 (%)</b>	89
<b>Number of wires</b>	12	<b>Direct subtransient reactance X''d (%)</b>	12
<b>IP Alternator</b>	IP 23	<b>Subtransient time constant, T''d (ms)</b>	7
<b>Excitation system</b>	SHUNT	<b>Zero sequence reactance, Xo (%)</b>	10
<b>AVR model</b>	SX460	<b>Short-circuit ratio, Kcc</b>	0,45

## Bed plate

The engine-alternator set is coupled to the bedplate by means of anti-vibration shock mounts that absorb almost all the vibrations.

The base frame is able to hold 100% of the liquids of the genset, reducing any potential environmental impact. It has a drainage plug.

## Sound proofed canopy

The canopy includes an external access to the lifting beam and push to close latches with key. The lifting beam is available as an option.

It is lined inside with a noise-absorbing material of polyurethane foam with a 30 mm thick waterproof protector veil with a density of 25 kg/m<sup>3</sup>.

It also has an emergency shutdown pushbutton that is accessible from the outside.

## Electric panel

Easily accessed control cubicle integrated in the generator set with digital controller providing advanced engine monitoring and protection features. Performance and maintenance requirements can also be observed. The cubicle includes multi-poles thermal-magnetic protection circuit breaker against overloads and short-circuits.

Has a circuit breaker, manually actuated, with thermal-magnetic protection against overloads and short-circuits.

<b>Circuit Breaker rated current (A)</b>	100A 4P R	<b>Battery charger</b>	DSE 9255 - 24V 5A
--	-----------	------------------------	-------------------

Has a DEEP SEA battery charge maintainer, designed to be permanently connected to the battery and maintains it charged to its maximum capacity.

Has no moving parts. The charger switches to floating mode when the charge is complete

## Control Card

DEEP SEA control plate, DSE 4620 with grid monitor that starts-up the generator set when it detects a failure in the electrical power supply from the grid and sends a signal to the switching panel to switch from the grid position to the group position . Once the power supply has been re-established, it sends an order to the switching panel to transfer the generator set power to the grid and shuts-down the generator set once it has cooled down. It also starts-up the generator set using an external signal.

Also, control plate DSE 4620 checks a large number of parameters of the generator set which allows it to display information, statuses and alarms. If required, it will shutdown the generator set: Due to high coolant fluid temperature, low oil pressure, low coolant fluid level, etc.

Includes a LCD screen with lighting, 2 navigation menu buttons, independent operational mode buttons, and alarms and status indicating LEDs.

Communications via USB, and Completely configurable using a PC in Windows environment and free Scada type software in real time.

Includes reading and displaying of parameters with RMS values, real time clock, events history log up to 15 events and programming of alarms, events, start-ups and shutdowns.

Operating modes: START-UP, SHUTDOWN, AUTO, MANUAL AND TEST.

### Generator

- Generator voltage (L-N)
- Generator voltage (L-L)
- Generator frequency
- Generator current
- kW
- kVA
- kWh
- kVAh
- Power factor



### Grid

- Grid voltage (L-N)
- Grid voltage (L-L)
- Grid frequency

### Engine

- Turn speed
- Cooling fluid temperature
- Oil pressure
- Hour meter
- Battery voltage
- No. of start-ups
- Fuel level

### Protections

- Start-up fault (generator set shutdown)
- High coolant temperature (alarm and generator set shutdown)
- Low oil pressure (alarm and generator set shutdown)
- Low fuel level (alarm)
- Low cooling fluid level (generator set shutdown)
- Overload (alarm and generator set shutdown)
- Battery voltage high (alarm)
- Battery voltage low (alarm)
- Battery charge alternator failure (alarm)
- Generator low frequency (alarm and shutdown)
- Generator high frequency (alarm and shutdown)
- Generator low voltage (alarm and shutdown)
- Generator high voltage (alarm and shutdown)
- External emergency shutdown (shutdown)
- Engine overspeed (shutdown)
- Maintenance interval (alarm)

## PTB

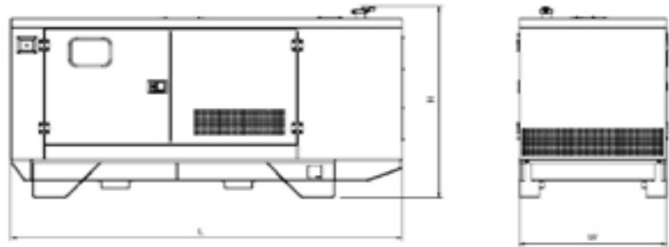
Optional Cabinet for switching between the grid and the generator set by means of Schneider brand contactors with an integrated mechanical and electrical interlocking device.

Controlled by free voltage contacts and based on contactors technology, this PTB allow the load transference between two sources (mains-generator). Mechanical and electrical interlocking systems guarantee the safety of the transference..

<b>PTB</b>	<b>4P 125A 230-240V L-N CCM</b>
------------	---------------------------------

## Dimensions and weight

Fuel Tank Capacity	8h	24h	48h
<b>Length, L (mm)</b>	2280	2280	2280
<b>Width, A (mm)</b>	980	980	980
<b>Height, H (mm)</b>	1265	1583	1754
<b>Net Weight (kg)</b>	1175	-	-



## Performance class

Execution class in accordance with ISO 8528/5 (2005) taking into account the behaviour of the generator set in a permanent mode of operation with different load levels, as well as in a temporary mode of operation due to shocks in the load.

<b>Performance class</b>	<b>G2</b>
--------------------------	-----------

## Regulation

The generator set has a CE Marking that includes the following directives:

- 2006/42/EC Machine Safety.
- 2014/35/EU Low Voltage.
- 2014/30/EU Electromagnetic compatibility.
- 2000/14/EC Noise emissions of machines outdoors in soundproof generator sets..

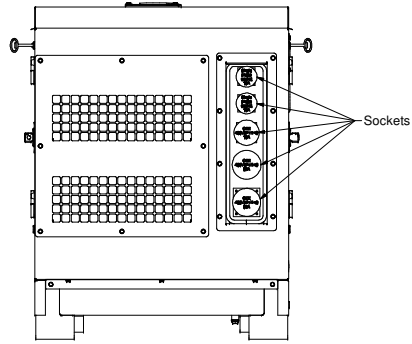
Regulation (EU) 2016/1628 Gases and contaminating particles emissions only for groups within its scope of stationary application.

## Applicable international regulations:

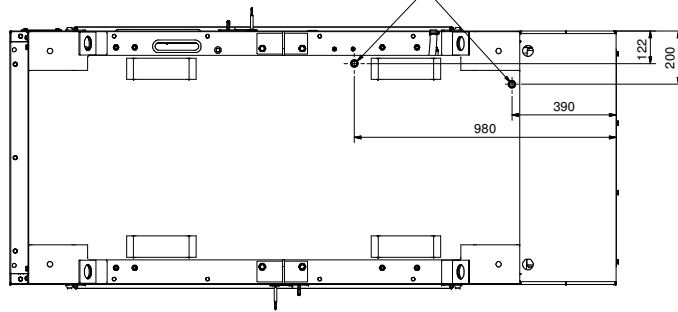
- ISO 8528
- ISO 3046
- BS 5000
- IEC 60034

All materials specified are to comply with the requirements of the applicable standards.

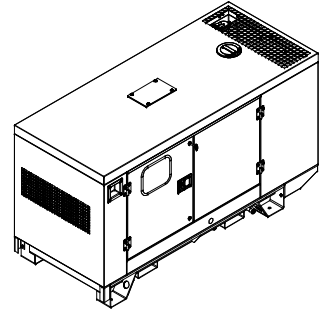
Socket option



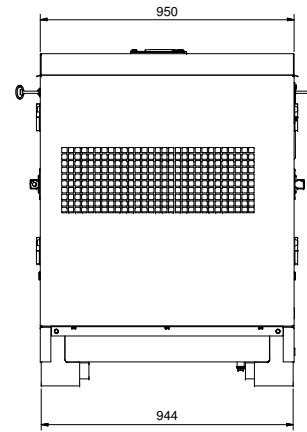
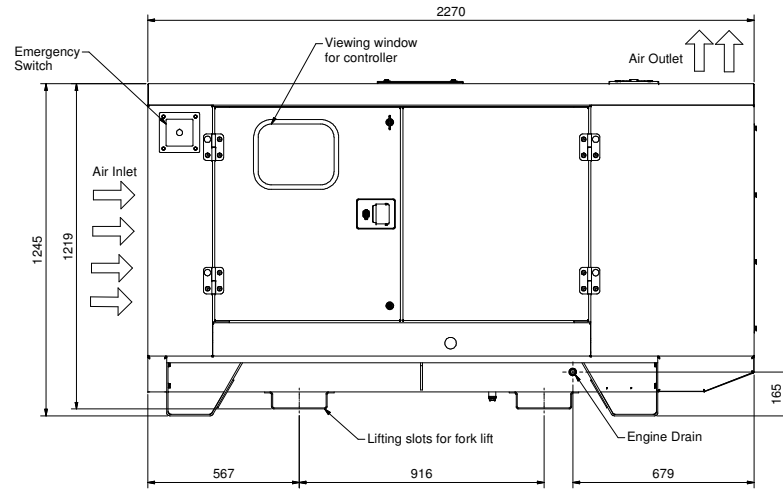
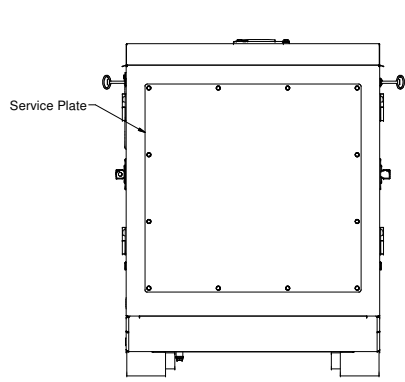
Drain Valve



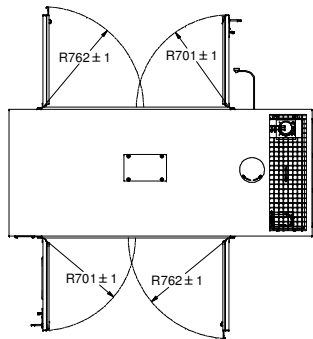
Isometric View



Standard

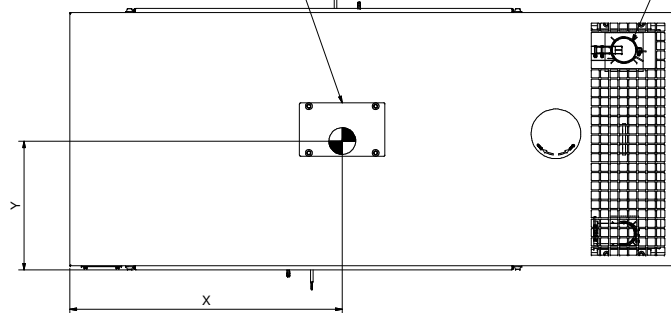


Door open position ( 1 : 20 )



Cover plate for Lifting lug

Exhaust Pipe



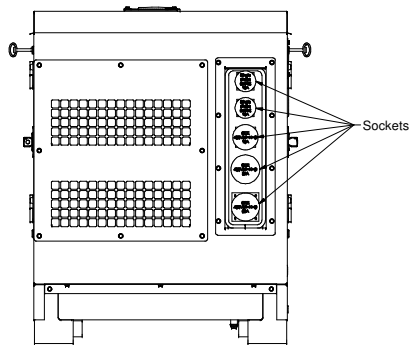
Type	BOX- B						
Commercial Name	QIS65U						
Total max. Weight	1106						
Center of gravity							
Net Mass	Xx	Xy	Xz	Wet Mass	Xx	Xy	Xz
kg	mm	mm	mm	kg	mm	mm	mm
1110	1020	483	NA	1225	1020	483	NA
Tolerances, if not indicated, according to:							
General tolerances				1350K - m			
ATLAS COPCO STANDARD CLASS							
Name	BOX B						Consistency Code
Material	Not Applicable						see to 1105/4
Treatment	Not Applicable						Confidential
Scale	1 : 10		Family	Compare		INV	Drawing transferred
Drawn by	ineexsk		Blank nr.	Replaces		Owner	WUX
Atlas Copco		Pilot wt.		N/A		Designation	
Drawing format		Blank wt.		kg		Sheet	
301123		A1		Date		26-06-2019	
Parent 3D model		Ed. Version 3D		Preliminary		9829370004	

CONFIDENTIAL: This document is property of Atlas Copco AB and should not be distributed or published without the prior written consent of Atlas Copco AB.

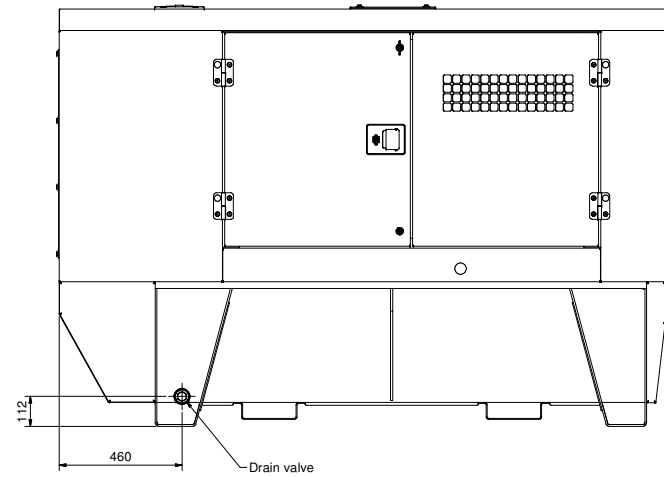
Ed.	Position	Modified from	Date	Intr./Appd.

All materials specified are to comply with the requirements of the relevant standards.

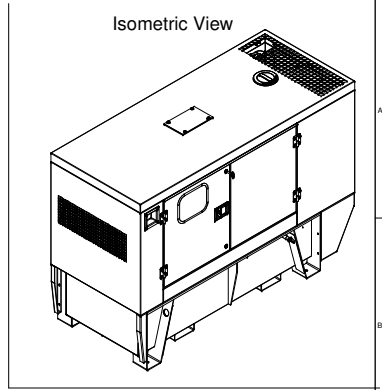
Socket option



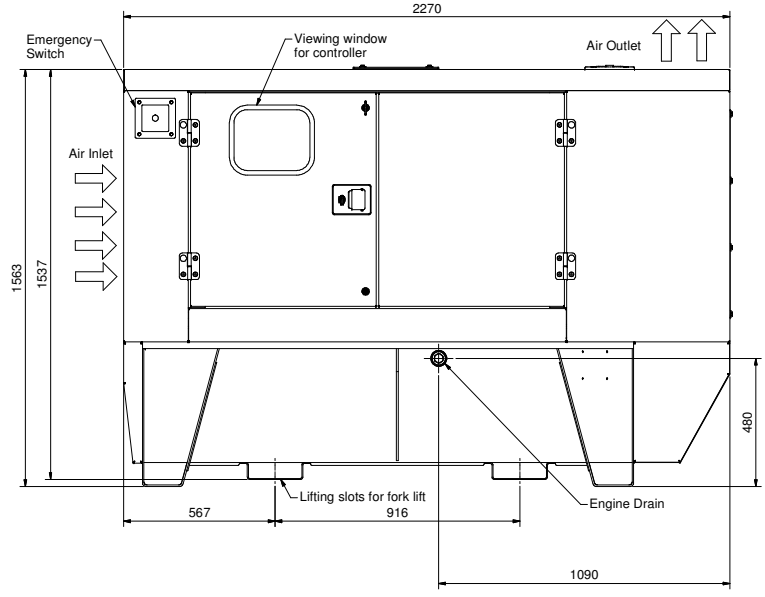
View B



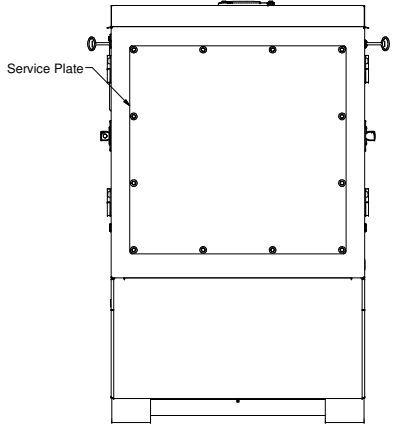
Isometric View



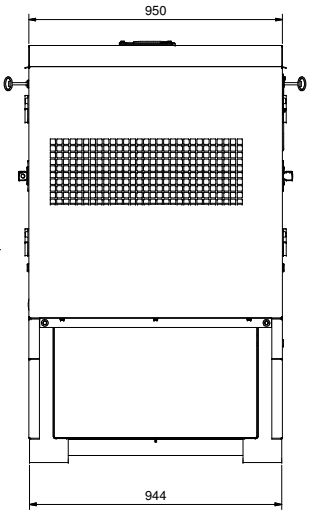
24hrs- option



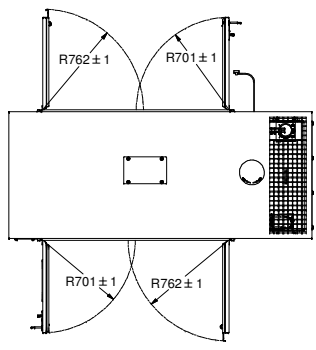
Service Plate



B

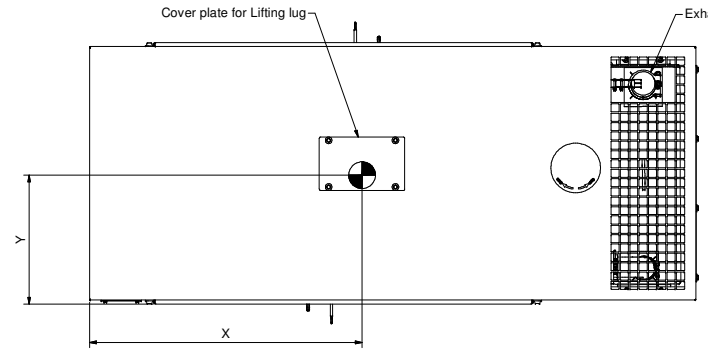


Door open position ( 1 : 20 )



Cover plate for Lifting lug

Exhaust Pipe



Tolerances, if not indicated, according to:		General tolerances			
ATLAS COPCO STANDARD CLASS		1350K - m			
Name	BOX B	Consistency Class		INV	
Material	Not Applicable	see in 1101.4		Confidential	
Treatment	Not Applicable	Compare		Blank	
Scale 1 : 10		Family	Replaces		Sheet
Drawn by inexist		Blank nr.	WUX		2 / 4
Drawing format Blank wt		Paper wt.	Designation		
Ed. 1		kg	Date		
Des. checked.		Prod. checked.	Approved.		26-06-2019
Parent 3D model		Ed. Version 3D		9829370004	
9829370004		Preliminary			

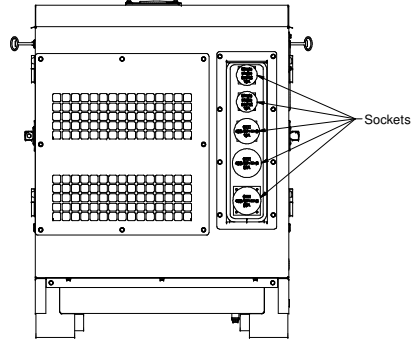
CONFIDENTIAL: This document is property of Atlas Copco AB and should not be distributed or published without the express written consent of Atlas Copco AB.

Ed.	Position	Modified from	Date	Intr./Appd.

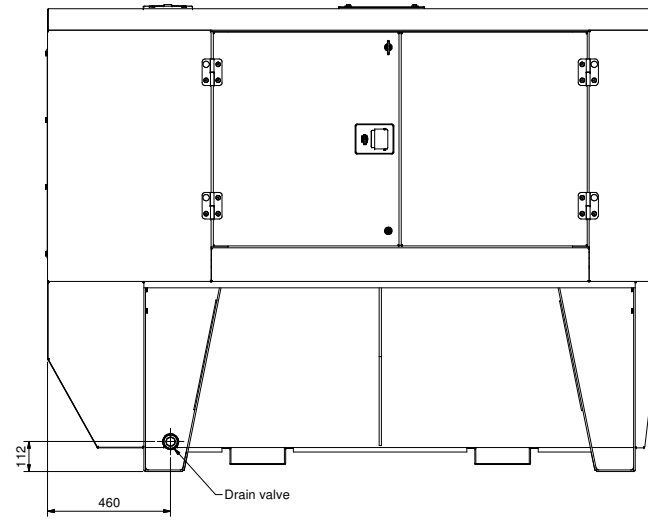


At the time of printing, the information contained in this document is current. Atlas Copco is not responsible for any errors or omissions that may appear in this document.

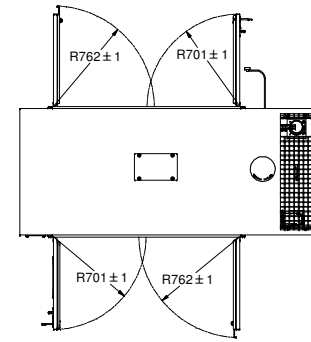
### Socket option



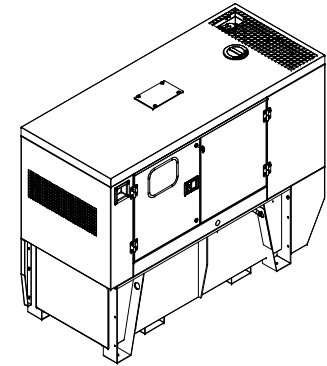
### View A



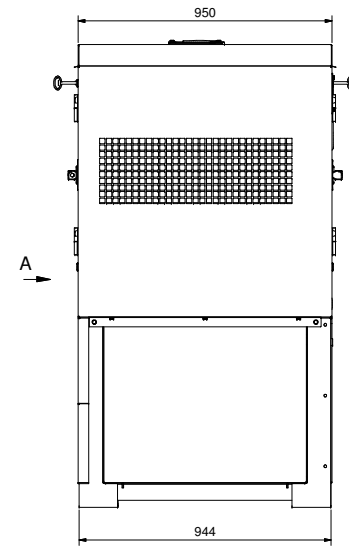
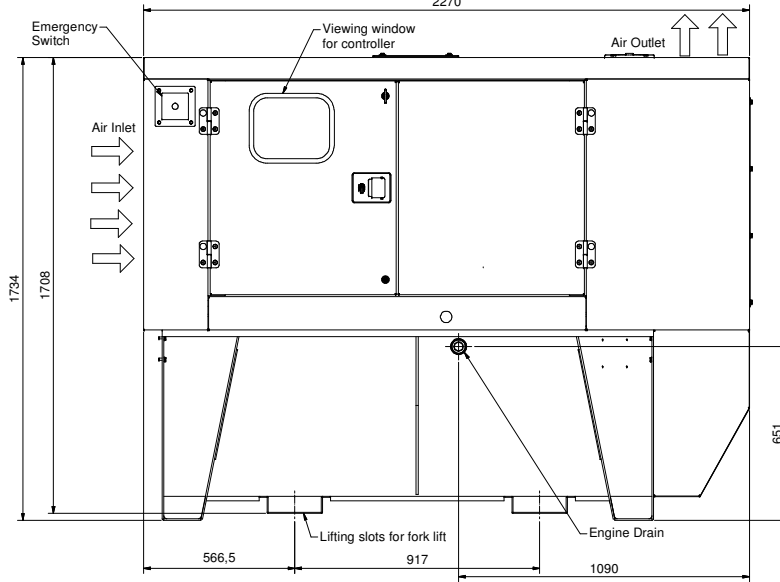
### Door open position ( 1 : 20 )



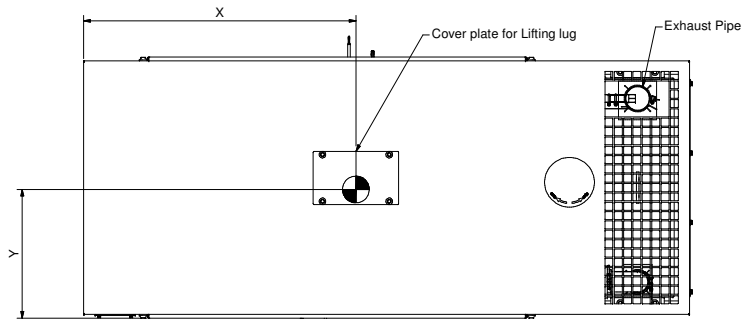
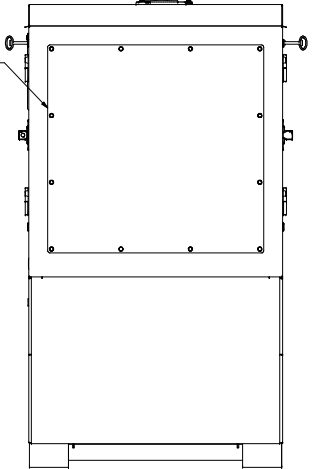
### Isometric View



### 48hrs- option



### Service Plate



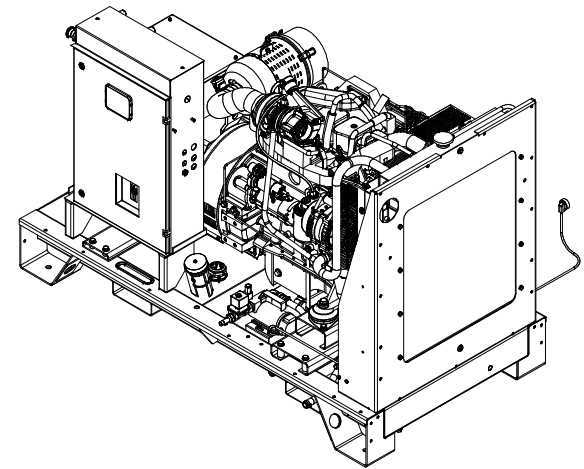
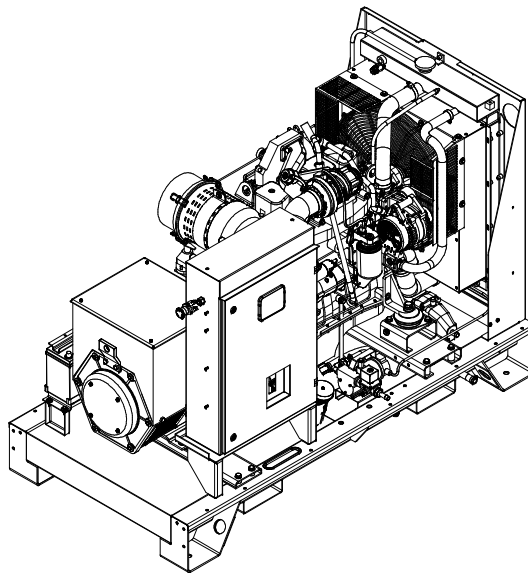
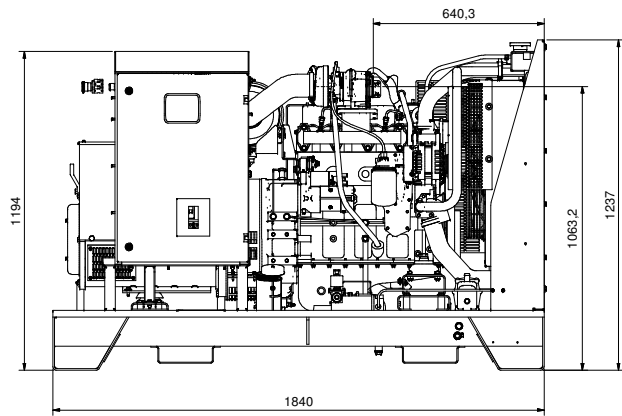
9829370004

Tolerances, if not indicated, according to:		General tolerances			
ATLAS COPCO STANDARD CLASS		1350K - m			
Name		BOX B		Consistency Class	
Material		Not Applicable		Confidential	
Treatment		Not Applicable		INV	
Scale		1 : 10		Family	
Drawn by		inexstk		Blank nr.	
Drawing format		Blank wt.		kg	
Des. checked:		Prod. checked:		Approved:	
Date		Date		Date	
26-06-2019		26-06-2019		26-06-2019	
Parent 3D model		Ed. Version 3D		Preliminary	
				9829370004	

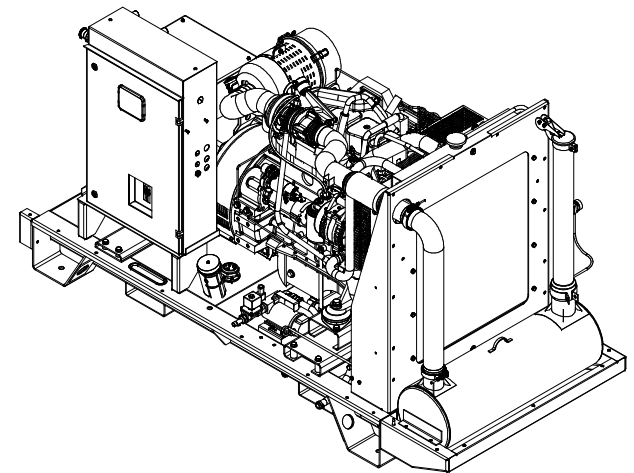
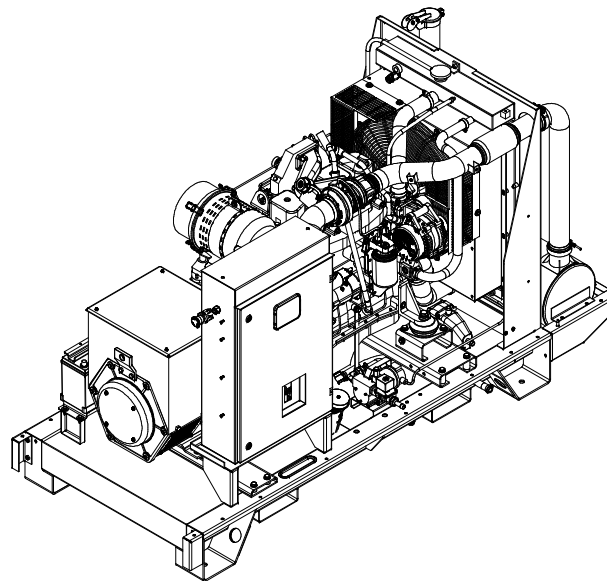
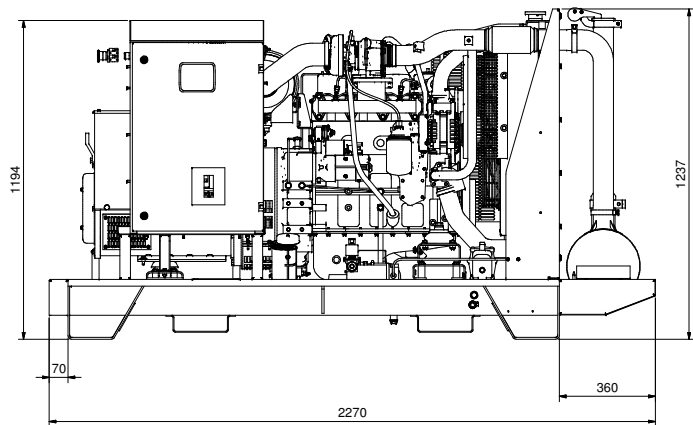
Ed.	Position	Modified from	Date	Intr./Appt.



Without Muffler



With Muffler



Tolerances, if not indicated, according to:		General tolerances					
ATLAS COPCO STANDARD CLASS		1350K - m					
Name		<b>BOX B</b>		Confidentiality Class		Confidential	
Material		<b>Not Applicable</b>		Revision		1/10/17	
Treatment		<b>Not Applicable</b>		Compare		INV	
Scale		1:10		Family			
Drawing format		Blank fr.		Blanks		WUX	
Date checked		kg		Date		26-06-2019	
Ed		Ed		Date		26-06-2019	
Position		Appr.		Date		26-06-2019	
Modified from				Date			
Intr./Appr.				Date			

9829370004	Parent 3D model	Ed. Version 3D
------------	-----------------	----------------

Preliminary	3/3/13	Drawn by	ineexsk	Blank fr.	kg	Disignation		Sheet	4 / 4
		Date checked		Prod checked		Approved		<b>9829370004</b>	

CONFIDENTIAL: This document is the property of Atlas Copco. All rights reserved. No part of this document may be reproduced without prior written permission from Atlas Copco. The information contained herein is confidential and its disclosure is strictly controlled. WUX