

Perkins Generator

Prime: 108KW/135KVA
Standby: 120KW/150KVA

Technical Data

Model		AJ- 150P
Prime power	kva	135
	kw	108
Standby power	kva	150
	kw	120
Rated voltage line to line	V	230/400
Rated current	A	194,4
Maximun sound level	dB@7m	75

Engine-Perkins

Model		1106A-70TG1
Aspiration		Four-stroke, water-cooled, In line, Turbo charged
Fuel system		Direct injection
No. cylinders		6
Displacement	L	7,01
Bore*Stroke	mm	105x135
Compression ratio		18.2:1
Rated speed	r/min	1500
Governor		mechanical
Engine size	mm	1509x760x1042
Engine wet weight	kg	725
Fire order		1-5-3-6-2-4
Start Motor	V	12
Rotation		Anti-clockwise, viewed on the flyweel

Air inlet

Air inlet	mounted air filter
-----------	--------------------

Fuel system

mechanical governor	rotary type fuel pump
fuel filter	Ecoplus fuel filter

Fuel System

110% load(Standby power)	L/h	33,8
100% load(Prime power)	L/h	30,2
75% load(Prime power)	L/h	22,7
50% load(Prime power)	L/h	15,9
Fuel capacity for silent genset	L	185
Fuel capacity for open genset	L	185

Lubrication System

Oil capacity	L	18
--------------	---	----

Cooling System

Total coolant capacity	L	21
------------------------	---	----

Standard Features

Engine(Perkins ENGINE)	●
Radiator 50°C max,fans are driven by belt	●
12V charge alternator	●
Alternator: single bearing alternator IP23	●
insulation class H/H	●
Standard auto control system	●
Main line circuit breaker / ACB	●
Base fuel tank	●
24V batteries, rac and cable	●
Exhaust system(Ripple flex exhaust pipe)	●
Exhaust siphon, flange, muffler	●
User manual	●
Battery charge	●

Options

Water heater	<input type="radio"/>
Alternator heater	<input type="radio"/>
One set of air filter, fuel filter, oil filter	<input type="radio"/>
PMG	<input type="radio"/>
Water oil separator	<input type="radio"/>
Daily fuel tank	<input type="radio"/>
Remote control panel	<input type="radio"/>
Automatic transfer switch/ATS	<input type="radio"/>
Switch box	<input type="radio"/>
Standard: ●	Options:○

Alternator

Model		TAL-A44-H
Alternator Brand		Leroy Somer
Phase		3
Voltage	V	230/400
Wiring Type		12 wires
Bearing		1
Power factor		0,8
Frequency	Hz	50
Prime power	KVA	137,5
Exciter Type		Brushless, self-excitation
Voltage regulation	%	±0.5
Protection Grade		IP 23

Insulation grade

H

Controller-Deepsea

Model

DSE 6120

7 configurable digital inputs

Built-in governor and AVR control

Base load (kW export) functionality

Mains (utility) de-coupling protection

Generator power (kW, kVA) monitoring

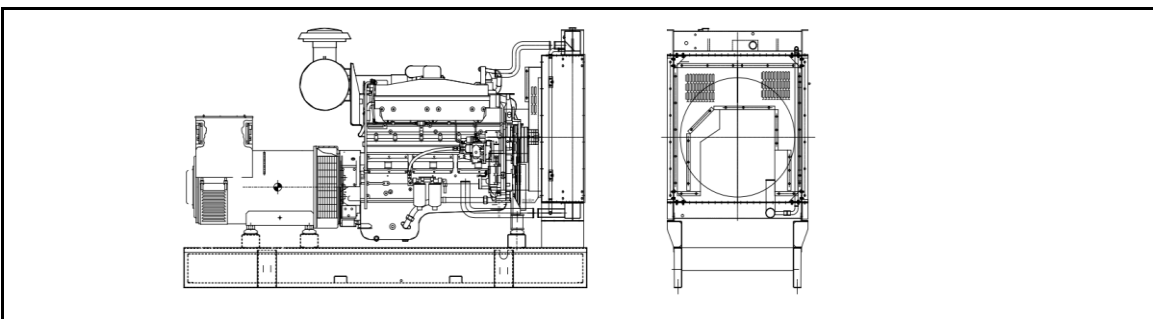
Overload (kW & kV Ar) protection

Emergency stop

Start failure

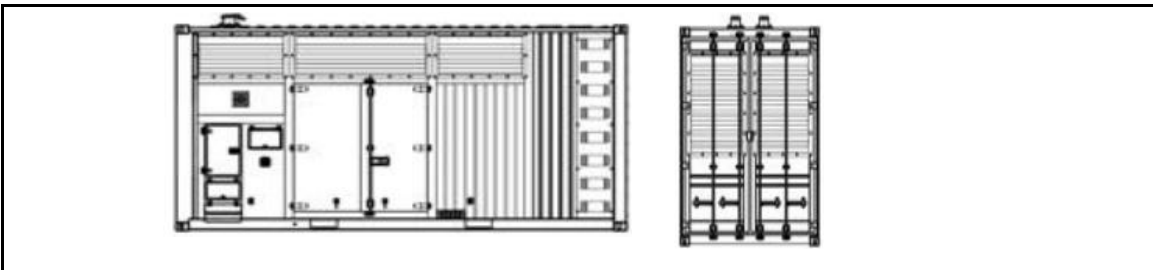


Unit Dimensions(Basic unit)



Open Type

L*W*H	mm	2500*950*1250
Weight	kg	1650



Silent Type

L*W*H	mm	3000*1100*1450
Weight	kg	2050

Warranty

Perkins Engine

12 months from date of purchase or 1000 hours.

Generator

12 months from date of purchase or 1000 hours

(whichever comes first).