



P65-5

Output Ratings

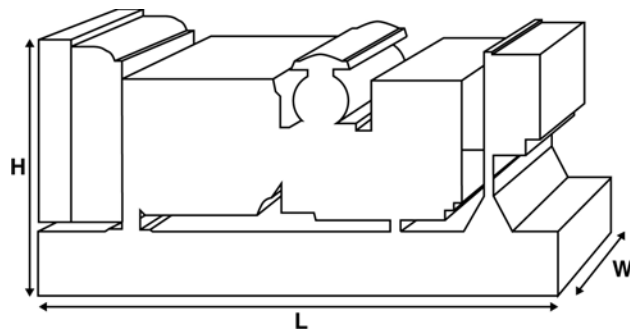
Voltage, Frequency	Prime	Standby
400V, 50 Hz	60.0 kVA / 48.0 kW	65.0 kVA / 52.0 kW
480V, 60 Hz	68.8 kVA / 55.0 kW	75.0 kVA / 60.0 kW

Ratings at 0.8 power factor.
Please refer to the output ratings technical data section for specific generator set outputs per voltage.

Prime Rating
These ratings are applicable for supplying continuous electrical power (at variable load) in lieu of commercially purchased power. There is no limitation to the annual hours of operation and this model can supply 10% overload power for 1 hour in 12 hours.

Standby Rating
These ratings are applicable for supplying continuous electrical power (at variable load) in the event of a utility power failure. No overload is permitted on these ratings. The alternator on this model is peak continuous rated (as defined in ISO 8528-3).

Standard Reference Conditions
Note: Standard reference conditions 25°C (77°F) Air Inlet Temp, 100m (328 ft) A.S.L. 30% relative humidity.
Fuel consumption data at full load with diesel fuel with specific gravity of 0.85 and conforming to BS2869: 1998, Class A2.



Ratings and Performance Data

Engine Make & Model:	Perkins®1103A-33TG2	
Alternator manufactured for FG Wilson by:	Marelli	
Alternator Model:	MJB 200 MA4	
Control Panel:	DCP-10	
Base Frame:	Heavy Duty Fabricated Steel	
Circuit Breaker Type:	3 Pole MCB / 3 Pole MCCB	
Frequency:	50 Hz	60 Hz
Engine Speed: RPM	1500	1800
Fuel Tank Capacity: litres (US gal)	145 (38.3)	
Fuel Consumption: l/hr (US gal/hr)		
(100% Load)	- Prime	13.7 (3.6) 16.3 (4.3)
	- Standby	15.0 (4.0) 18.0 (4.8)

Available Options

FG Wilson offer a range of optional features to tailor our generator sets to meet your power needs. Options include:

- Upgrade to CE Certification
- A wide range of Sound Attenuated Enclosures
- A variety of generator set control and synchronising panels
- Additional alarms and shutdowns
- A selection of exhaust silencer noise levels

For further information on all of the standard and optional features accompanying this product please contact your local Dealer or visit: www.FGWilson.com

Dimensions and Weights

Length (L) mm (in)	Width (W) mm (in)	Height (H) mm (in)	Dry kg (lb)	Wet kg (lb)
1680 (66.1)	760 (29.9)	1336 (52.6)	839 (1850)	852 (1878)

Dry = With Lube Oil Wet = With Lube Oil and Coolant

Ratings in accordance with ISO 8528, ISO 3046, IEC 60034, BS5000 and NEMA MG-1.22.
Generator set pictured may include optional accessories.

Engine Technical Data		
No. of Cylinders / Alignment:	3 / In Line	
Cycle:	4 Stroke	
Bore / Stroke: mm (in)	105.0 (4.1)/127.0 (5.0)	
Induction:	Turbocharged	
Cooling Method:	Water	
Governing Type:	Mechanical	
Governing Class:	ISO 8528 G2	
Compression Ratio:	17.25:1	
Displacement: l (cu. in)	3.3 (201.4)	
Moment of Inertia: kg m ² (lb/in ²)	1.14 (3896)	
Engine Electrical System:		
- Voltage / Ground	12/Negative	
- Battery Charger Amps	65	
Weight: kg (lb)		
- Dry	420 (926)	
- Wet	438 (966)	

Performance	50 Hz	60 Hz
Engine Speed: rpm	1500	1800
Gross Engine Power: kW (hp)		
- Prime	55.0 (74.0)	63.3 (85.0)
- Standby	60.5 (81.0)	69.6 (93.0)
BMEP: kPa (psi)		
- Prime	1333.0 (193.4)	1279.0 (185.5)
- Standby	1467.0 (212.8)	1407.0 (204.0)

Fuel System					
Fuel Filter Type:		Replaceable Element			
Recommended Fuel:		Class A2 Diesel or BSEN590			
Fuel Consumption: l/hr (US gal/hr)					
	110%	100%	75%	50%	
Prime	Load	Load	Load	Load	
50 Hz	15.0 (4.0)	13.7 (3.6)	10.2 (2.7)	7.1 (1.9)	
60 Hz	18.0 (4.8)	16.3 (4.3)	12.3 (3.2)	8.8 (2.3)	
		100%	75%	50%	
Standby		Load	Load	Load	
50 Hz		15.0 (4.0)	11.0 (2.9)	7.6 (2.0)	
60 Hz		18.0 (4.8)	13.4 (3.5)	9.4 (2.5)	

(Based on diesel fuel with a specific gravity of 0.85 and conforming to BS2869, Class A2)

Air Systems	50 Hz	60 Hz
Air Filter Type:	Replaceable Element	
Combustion Air Flow: m ³ /min (cfm)		
- Prime	3.8 (134)	4.7 (166)
- Standby	3.9 (138)	4.9 (173)
Max. Combustion Air Intake Restriction: kPa (in H ₂ O)	8.0 (32.1)	8.0 (32.1)

Cooling System	50 Hz	60 Hz	
Cooling System Capacity: l (US gal)	10.2 (2.7)	10.2 (2.7)	
Water Pump Type: Centrifugal			
Heat Rejected to Water & Lube Oil:			
kW (Btu/min)	- Prime	35.2 (2002)	41.0 (2332)
	- Standby	37.7 (2144)	42.8 (2434)
Heat Radiation to Room: Heat radiated from engine and alternator			
kW (Btu/min)	- Prime	15.2 (864)	17.1 (972)
	- Standby	17.0 (967)	18.0 (1024)
Radiator Fan Load: kW (hp)	1.0 (1.3)	1.7 (2.3)	
Radiator Cooling Airflow: m ³ /min (cfm)	110.4 (3899)	145.8 (5149)	
External Restriction to Cooling Airflow: Pa (in H ₂ O)	125 (0.5)	125 (0.5)	

Designed to operate in ambient conditions up to 50°C (122°F).
Contact your local FG Wilson Dealer for power ratings at specific site conditions.

Lubrication System	
Oil Filter Type:	Spin-On, Full Flow
Total Oil Capacity: l (US gal)	8.3 (2.2)
Oil Pan: l (US gal)	7.8 (2.1)
Oil Type:	API CG4 / CH4 15W-40
Oil Cooling Method:	Water

Exhaust System	50 Hz	60 Hz
Silencer Type: Industrial		
Silencer Model & Quantity: SD80 (1)		
Pressure Drop Across Silencer System: kPa (in Hg)	0.98 (0.289)	1.22 (0.360)
Silencer Noise Reduction Level: dB	19	18
Maximum Allowable Back Pressure: kPa (in Hg)	10.0 (3.0)	15.0 (4.4)
Exhaust Gas Flow: m ³ /min (cfm)		
- Prime	10.1 (357)	11.8 (417)
- Standby	10.4 (367)	12.5 (441)
Exhaust Gas Temperature: °C (°F)		
- Prime	557 (1035)	534 (993)
- Standby	571 (1060)	564 (1047)

Alternator Physical Data	
Manufactured for FG Wilson by:	Marelli
Model:	MJB 200 MA4
No. of Bearings:	1
Insulation Class:	H
Winding Pitch Code:	2/3 - M0
Wires:	12
Ingress Protection Rating:	IP23
Excitation System:	SHUNT
AVR Model:	Mark V

Alternator Operating Data	
Overspeed: rpm	2250
Voltage Regulation: (Steady state)	+/- 1.0%
Wave Form NEMA = TIF:	50
Wave Form IEC = THF:	2.0%
Total Harmonic content LL/LN:	2.0%
Radio Interference:	Suppression is in line with European Standard EN55011
Radiant Heat: kW (Btu/min)	
- 50 Hz	6.0 (341)
- 60 Hz	7.0 (398)

Alternator Performance Data:	50 Hz				60 Hz			
	415/240V	400/230V 230/115V 200/115V	380/220V 220/110V	220/127V	480/277V 240/139V	380/220V 220/110V	240/120V 208/120V	440/254V 220/127V
Motor Starting Capability* kVA	74	74	62	87	62	50	50	62
Short Circuit Capacity %	-	-	-	-	-	-	-	-
Reactances: Per Unit								
Xd	3.220	3.460	3.830	2.860	3.310	3.660	4.410	3.940
X'd	0.280	0.300	0.330	0.250	0.290	0.420	0.380	0.340
X''d	0.112	0.121	0.134	0.100	0.116	0.169	0.154	0.137

Reactances shown are applicable to prime ratings.
 *Based on 30% voltage dip at 0 power factor.

Output Ratings Technical Data 50 Hz				
Voltage	Prime:		Standby:	
	kVA	kW	kVA	kW
415/240V	60.0	48.0	65.0	52.0
400/230V	60.0	48.0	65.0	52.0
380/220V	60.0	48.0	65.0	52.0
230/115V	60.0	48.0	65.0	52.0
220/127V	60.0	48.0	65.0	52.0
220/110V	60.0	48.0	65.0	52.0
200/115V	60.0	48.0	65.0	52.0

Output Ratings Technical Data 60 Hz				
Voltage	Prime:		Standby:	
	kVA	kW	kVA	kW
480/277V	68.8	55.0	75.0	60.0
220/127V	68.8	55.0	75.0	60.0
380/220V	62.9	50.3	69.2	55.4
240/120V	68.3	54.6	75.0	60.0
440/254V	68.8	55.0	75.0	60.0
220/110V	62.9	50.3	69.2	55.4
208/120V	68.3	54.6	75.0	60.0
240/139V	68.8	55.0	75.0	60.0

Documentation

A full set of operation and maintenance manuals and circuit wiring diagrams.

Generator Set Standards

The equipment meets the following standards: BS5000, ISO 8528, ISO 3046, IEC 60034, NEMA MG-1.22.

FG Wilson is a fully accredited ISO 9001 company.

Warranty

All prime equipment carries a one year manufacturer's warranty. Standby equipment, limited to 500 running hours per year, has a two year manufacturer's warranty. For details on warranty cover please contact your local Dealer, or visit our website: FGWilson.com.

Dealer contact details:

DPX Power

Oostelijke Randweg 20 (Port Nr 114)
4782 PZ – Moerdijk
The Netherlands

www.dpxpower.nl
sales@dpxpower.nl
0031-649905691
0031-631698138



FG Wilson manufactures product in the following locations:
Northern Ireland • Brazil • China • India • USA

With headquarters in Northern Ireland, FG Wilson operates through a Global Dealer Network.

To contact your local Sales Office please visit the FG Wilson website at www.FGWilson.com.

FG Wilson is a trading name of Caterpillar (NI) Limited.

In line with our policy of continuous product development, we reserve the right to change specification without notice.