

# Technical specifications

## Diesel Generator Set

### QIS 90

Voltage: 400/230 V

Frequency: 50HZ



Genset Image for illustration purposes only

## TECHNICAL INFORMATION

<b>Standby Power (ESP)</b>	kVA	92
	kW	74
<b>Prime Power (PRP)</b>	kVA	84
	kW	67
<b>Mechanical structure</b>	Soundproofed	
<b>Engine</b>	JOHN DEERE 4045TF220	
<b>Alternator</b>	MECC ALTE ECP34-1S/4A	
<b>Control card</b>	DEEP SEA 4520	
<b>Measures (L x W x H)</b>	mm	2.892 x 1.130 x 1.710
<b>Empty weight</b>	kg	1.765
<b>Fuel tank</b>	L	230
<b>Acoustic pressure, LpA</b>	dB(A) a 7	61
<b>Acoustic power LwA</b>	dB(A)	88

Voltages	Prime Power (PRP)		Standby Power (ESP)	
	(kVA)	(kW)	(kVA)	(kW)
380/220	84	67	92	74
400/230	84	67	92	74
415/240	84	67	92	74

**Notes:**

**PRIME POWER:** Electrical power data available at a variable load without limits of hours per year. An overload of 10 % is allowed for 1 hour of every 12. In accordance with ISO 8528/1 (2005) – PRP

**STANDBY POWER:** Electrical power data at variable load in an emergency in accordance with standard ISO 8528/1 (2005) – ESP. Overloads of emergency power are not allowed.

The standard reference conditions are: 25 °C, 100 kPa and 30% relative humidity. Gasoil density: 0.85 g/cm3. Gasoline density: 0.68 g/cm3.

## ■ INDEX

General description
Engine
Alternator
Bedplate
Soundproofed canopy
Electric Panel
ATS
Dimensions and Weight
Performance class
Regulation
Annex: Drawings

Grupos Electrógenos Europa, S.A. is a certified company with ISO 9001, ISO 14001, OHSAS 18001 and PECAL

We reserves the right to modify any characteristic of their equipment without prior warning.

Photographs representing the product range, while able to include options.

Weight and dimensions of a standard generator set.

Non-contractual document

Central Offices:

Polígono Industrial Pitarco II; Parcela 20

50450 Muel (Zaragoza) Spain

Tel.: +34 976 14 54 32

Fax: +34 976 14 54 31

info@gesan.com

After-sales Department:

Customer service: +34 976 14 54 33

Spare parts: +34 976 14 54 34

## GENERAL DESCRIPTION

Specifically developed for the industrial applications, this stationary soundproof generator set is easy to use and straightforward to maintain. The available features & options are designed to fully meet the requirements of all industrial applications. The generator set will automatically start on mains failure and cool down and stop as soon as the mains come back. The generator set also controls the load transfer between mains (utility) and generator set. It can also be start-up by means of an external signal.

It's your solution for Predictable Power.

## ENGINE

4045 series JOHN DEERE diesel 4 stroke engine, with turbo, with direct injection and mechanical regulation of the engine speed.

<b>Engine brand</b>	JOHN DEERE	<b>Engine Capacity (c.c.)</b>	4.500
<b>Model</b>	4045TF220	<b>Bore (mm)</b>	106
<b>R.P.M.</b>	1.500	<b>Stroke (mm)</b>	127
<b>Fuel</b>	Diesel	<b>Compression ratio</b>	17:1
<b>No. of cylinders</b>	4 L	<b>Type of regulation</b>	Mechanical

### Cooling System

Cooling of the sleeves using cooling fluid comprised of water and glycol at 50% in a closed circuit driven by the engine pump.

The circuit is completed with a blower fan driven by the engine, radiator, expansion tank, cooling fluid purge system towards the outside of the bedplate and protections of all the running surfaces.

<b>Cooling type</b>	Water	<b>Limit ambient temperature (°c)</b>	43
<b>Coolant capacity (l)</b>	23		

A boiler system with heating element is available as an option. An adjustable thermostat is included to maintain the temperature at optimum range and facilitate the starting of the engine.

<b>Coolant heater power (W)</b>	1 x 1000W		
---------------------------------	-----------	--	--

### Lubrication System

The lubrication system of this diesel engine comprises the oil pan, oil filter, oil switch and gear oil pump driven by the engine. All the components are original from the engine manufacturer.

It can be completed by an optional manual oil sump drain pump.

<b>Oil capacity (l)</b>	13,2		
-------------------------	------	--	--

### Air intake system

Air intake system for combustion with turbo, filtering device and filter change indicator; originals from the engine manufacturer.

<b>Intake air flow (m<sup>3</sup>/min)</b>	6,1		
--	-----	--	--

### Exhaust System

The exhaust system consists of pipes, bellow, interior and exterior aluminized steel exhaust silencer that is highly resistant to corrosion, rain cap and hot part protections.

<b>T<sup>a</sup> gas emission (°C)</b>	600	<b>Outlet diameter (")</b>	3,5
<b>Gas flow (m3/min)</b>	13,6	<b>Inlet diameter (")</b>	3,3
<b>Number of exhaust</b>	1		

### Start system

Start system that uses an electrical motor, battery and battery charge alternator that is driven by the engine itself. The start motor and the battery charge alternator are originals from the engine manufacturer.

<b>Starter voltage system (V)</b>	12	<b>Battery type</b>	1 x 12V 74Ah - 680A
-----------------------------------	----	---------------------	---------------------

### Fuel supply system

The fuel system consists of a fuel tank, feed pump, water separator fuel filter including 30 microns filtering element, injection pump and injection nozzles.

The fuel tank is made from plastic to prevent rust and includes a filling connection with cap and key, a cleaning hatch and draining plug for easier maintenance. The fuel level is controlled thanks to a fuel level sensor with an analogue gauge mounted in the control cubicle.

<b>Fuel tank capacity (L)</b>	230		
-------------------------------	-----	--	--

### Fuel consumption panel (range according to the standard configuration)

Load	Prime Power (PRP)		Standby Power (ESP)	
	(l/h)	Range (h)	(l/h)	Range (h)
25%	5,5	42	6,1	38
50%	9,2	25	10,1	23
75%	13,3	17,3	14,6	15,8
100%	17,6	13,1	19,1	12

## ALTERNATOR

Mecc Alte alternator with 4 poles, with a lifetime lasting greased bearing, H class insulation, without brushes, 2/3 coil and AVR (Automatic Voltage Regulator)

Protection of all the windings by means of 2-part high quality polyester resin impregnation. The stator windings receive a double impregnation. Final finish with a coat of EG43 varnish.

Excitation system with MAUX auxiliary winding with overload capacity 3 times the nominal current for 20 s.

Joining of engine and alternator through flexible disc coupling.

Regulations:

- CEI 2-3
- IEC 34-1
- EN 60034-1
- VDE 0530
- BS 4999-5000
- CAN/CSA-C22.2 No14-68-No100-95
- ISO 8528:3

Low wave distribution:

- THC < 4%
- THD < 4%
- THF (IEC) < 2%
- TIF (NEMA) < 40

Incorporates electromagnetic emissions suppressor in accordance with standard VDE 0875, class K.

<b>Brand</b>	MECC ALTE	<b>Voltage Stability</b>	±1%
<b>Model</b>	ECP34-1S/4A	<b>Performance at 75% p.f. 0.8 (%)</b>	92
<b>Alternator Power (kVA)</b>	95 / Standby (SB27)	<b>Performance at 100% p.f. 0.8 (%)</b>	92
<b>Number of wires</b>	12	<b>Direct subtransient reactance X''d (%)</b>	7,4
<b>IP Alternator</b>	IP 23	<b>Subtransient time constant, T''d (ms)</b>	5,8
<b>Excitation system</b>	MAUX	<b>Zero sequence reactance, Xo (%)</b>	3,6
<b>AVR model</b>	DSR	<b>Short-circuit ratio, Kcc</b>	0,5

## ▪ BEDPLATE

The engine-alternator set is coupled to the bedplate by means of anti-vibration shock mounts that absorb almost all the vibrations.

The base frame is made of a phosphate, passivated steel profile with polyester dust paint that guarantees a resistance of up to 480 hours in a saline mist chamber in accordance with standard ASM B-117-09.

The base frame is able to hold 100% of the liquids of the genset, reducing any potential environmental impact. It has a drainage plug.

## ▪ SOUNDPROOFED CANOPY

Soundproof generator set by means of galvanized, phosphate steel, passivated and finish using polyester dust paint that guarantees a resistance of at least 720 hours in a saline mist chamber in accordance with standard ASM B-117-09.

The canopy includes an external access to the lifting beam and push to close latches with key. The lifting beam is available as an option.

It is lined inside with a noise-absorbing material of polyurethane foam with a 30 mm thick waterproof protector veil with a density of 25 kg/m<sup>3</sup>.

It also has an emergency shutdown pushbutton that is accessible from the outside.

## ▪ ELECTRIC PANEL

Easily accessed control cubicle integrated in the generator set with digital controller providing advanced engine monitoring and protection features. Performance and maintenance requirements can also be observed. The cubicle includes multi-poles thermal-magnetic protection circuit breaker against overloads and short-circuits.

Has a SCHNEIDER brand circuit breaker, manually actuated, with thermal-magnetic protection against overloads and short-circuits.

<b>Circuit Breaker rated current (A)</b>	160A 4P R	<b>Battery charger</b>	DSE 9150 - 12V 2A
--	-----------	------------------------	-------------------

Has a DEEP SEA battery charge maintainer, designed to be permanently connected to the battery and maintains it charged to its maximum capacity.

Has no moving parts. The charger switches to floating mode when the charge is complete

## Control Card

DEEP SEA control plate, DSE 4520 with grid monitor that starts-up the generator set when it detects a failure in the electrical power supply from the grid and sends a signal to the switching panel to switch from the grid position to the group position. Once the power supply has been re-established, it sends an order to the switching panel to transfer the generator set power to the grid and shuts-down the generator set once it has cooled down. It also starts-up the generator set using an external signal.

Also, control plate DSE 4520 checks a large number of parameters of the generator set which allows it to display information, statuses and alarms. If required, it will shutdown the generator set: Due to high coolant fluid temperature, low oil pressure, low coolant fluid level, etc.

Includes a LCD screen with lighting, 2 navigation menu buttons, independent operational mode buttons, and alarms and status indicating LEDs.

Communications via USB, and Completely configurable using a PC in Windows environment and free Scada type software in real time.

Includes reading and displaying of parameters with RMS values, real time clock, events history log up to 15 events and programming of alarms, events, start-ups and shutdowns.

Operating modes: START-UP, SHUTDOWN, AUTO, MANUAL AND TEST.

### Generator

- Generator voltage (L-N)
- Generator voltage (L-L)
- Generator frequency
- Generator current
- kW
- kVA
- kWh
- kVAh
- Power factor

### Grid

- Grid voltage (L-N)
- Grid voltage (L-L)
- Grid frequency

### Engine

- Turn speed
- Cooling fluid temperature
- Oil pressure
- Hour meter
- Battery voltage
- No. of start-ups
- Fuel level

### Protections

- Start-up fault (generator set shutdown)
- High coolant temperature (alarm and generator set shutdown)
- Low oil pressure (alarm and generator set shutdown)
- Low fuel level (alarm)
- Low cooling fluid level (generator set shutdown)
- Overload (alarm and generator set shutdown)
- Battery voltage high (alarm)
- Battery voltage low (alarm)
- Battery charge alternator failure (alarm)
- Generator low frequency (alarm and shutdown)
- Generator high frequency (alarm and shutdown)
- Generator low voltage (alarm and shutdown)
- Generator high voltage (alarm and shutdown)
- External emergency shutdown (shutdown)
- Engine overspeed (shutdown)
- Maintenance interval (alarm)



## ■ ATS

Optional cabinet for switching between the grid and the generator set by means of a Socomec brand motorized switch with an integrated mechanical and electrical interlocking device.

Allows for the padlock locking function. Includes a Manual / Automatic mode selector and emergency manual control.

Safety switching for isolating the loads. High dynamic resistance against short-circuits.

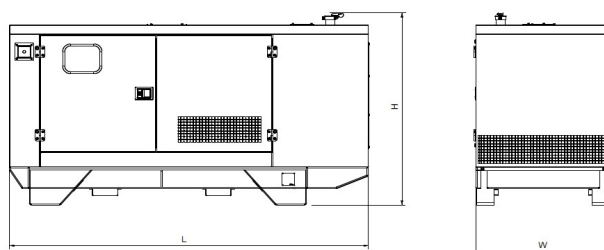
Position indicator with fully visualized cut-off. Stable positions not affected by changes in voltage and mechanical vibrations. External electrical control of the positions and test sequences.

High number of operations. IP54 protection. Connections: Lower/lower.

<b>ATS</b>	4P 160A 160-333V L-N CCM
------------	--------------------------

## ■ DIMENSIONS AND WEIGHT

<b>Length, L (mm)</b>	2.892
<b>Width, A (mm)</b>	1.130
<b>Height, H (mm)</b>	1.710
<b>Weight (kg)</b>	1.765



## ■ PERFORMANCE CLASS

Execution class in accordance with ISO 8528/5 (2005) taking into account the behaviour of the generator set in a permanent mode of operation with different load levels, as well as in a temporary mode of operation due to shocks in the load.

<b>Performance class</b>	G2
--------------------------	----

## ■ REGULATION

The generator set has a CE Marking that includes the following directives:

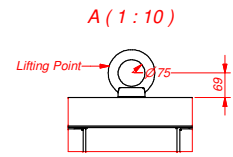
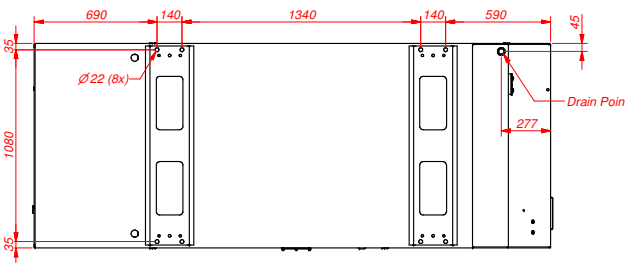
- 2006/42/EC Machine Safety.
- 2014/35/EU Low Voltage.
- 2014/30/EU Electromagnetic compatibility.
- 2005/88/EC Noise emissions of machines outdoors in soundproof generator sets.

Regulation (EU) 2016/1628 Gases and contaminating particles emissions only for groups within its scope of application.

Applicable international regulations:

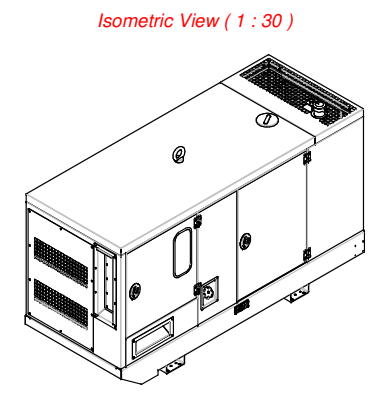
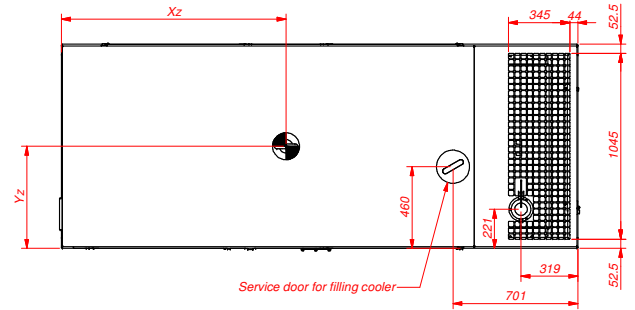
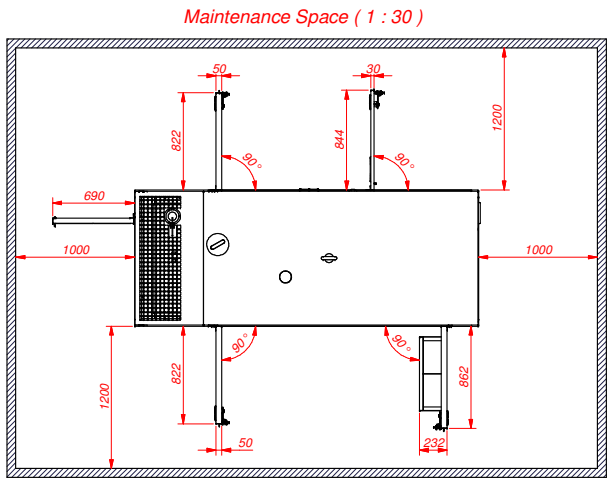
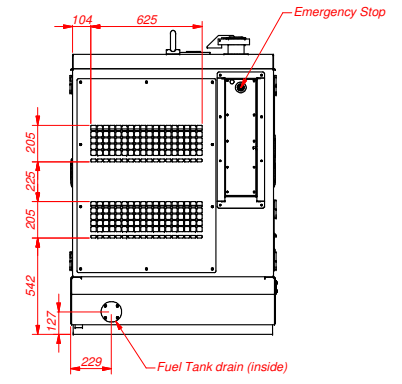
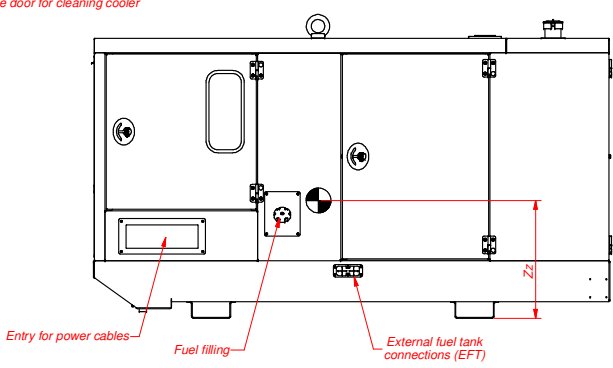
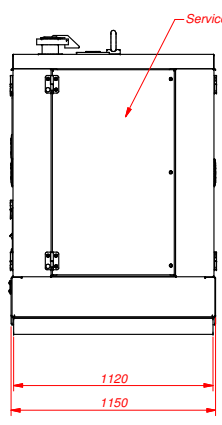
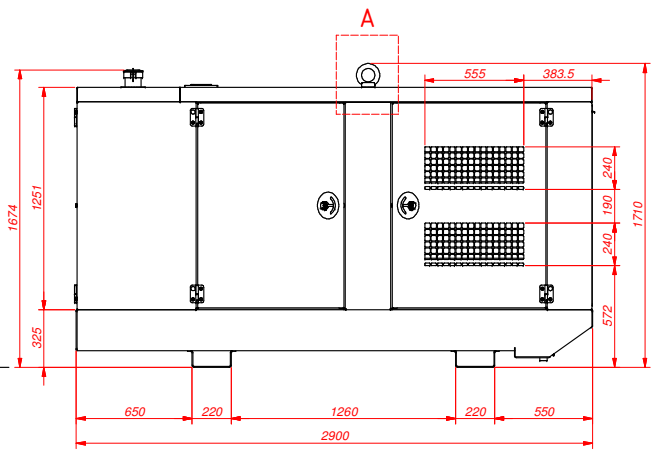
- ISO 8528
- ISO 3046
- BS 5000
- IEC 60034





BASIC UNIT								
TYPE	WET MASS	Xz	Yz	Zz	NET MASS	Xz	Yz	Zz
	Kg	mm	mm	mm	Kg	mm	mm	mm
QIS/ 4045TF220	TBD	1670	560	340	TBD	1660	560	390
QIS/ 4045HG120	2010	1670	560	340	1825	1660	560	390

WET MASS = Wet engine and radiator (oil, coolant) and full tank.  
NET MASS = Dry engine (without coolant and oil) and empty tank.



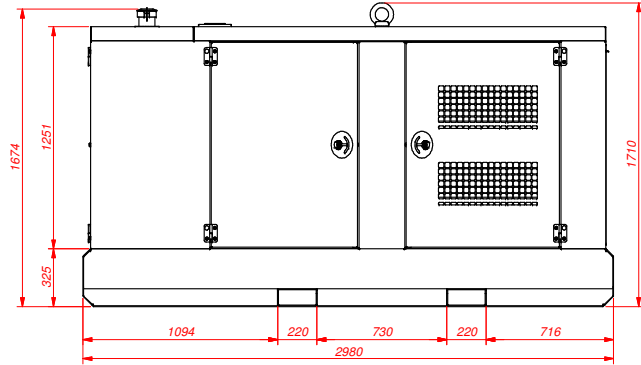
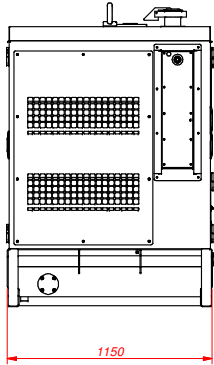
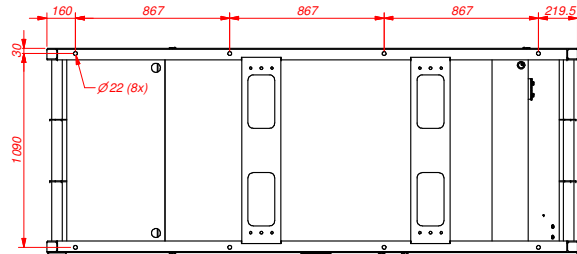
CONFIDENTIAL: This drawing is the property of Atlas Copco. It shall not be reproduced, copied, used for manufacturing or communicated to any other person or company.

Ed	Position	Modified from	Date	Intr./Appd.
00				

1636011020		00	STATUS		Approved	Des checked.	Prod checked.	Approved.	Date	12/08/2015	Designation	1636011020	Sheet	1 / 4
------------	--	----	--------	--	----------	--------------	---------------	-----------	------	------------	-------------	------------	-------	-------

Tolerances, if not indicated, according to:		General tolerances		1350K - mK									
Name				DIMENSION DRWG				QIS Box CC		Confidentiality Class		Confidential	
Material				Not Applicable				Thickness:		INV		Drawing owner	
Scale				Family		A2		Compare		Replaces		ESF	
Version Dwg		Blank nr.		Fini wt.		2894,353 Kg		Designation		1636011020		Sheet	

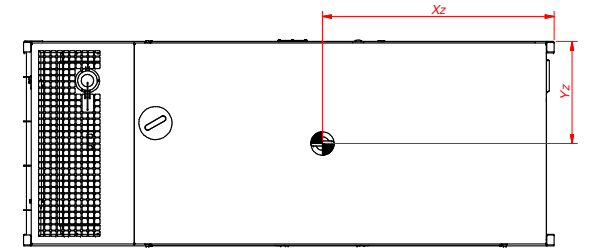
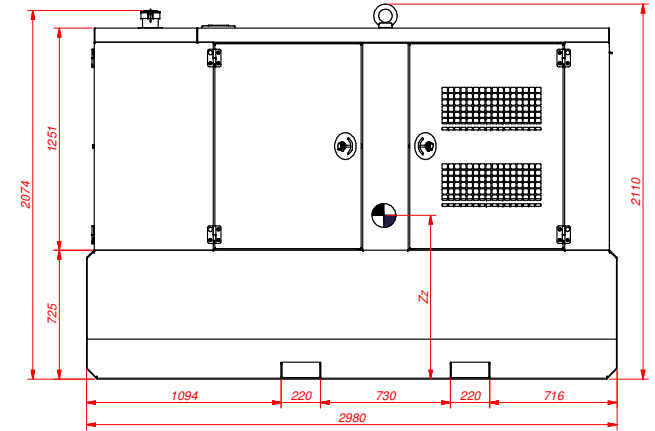
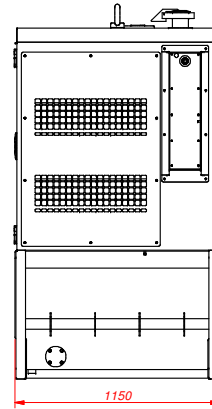
SKID option



24H SKID option

24H SKID OPTION								
TYPE	WET MASS	Xz	Yz	Zz	NET MASS	Xz	Yz	Zz
	Kg	mm	mm	mm	Kg	mm	mm	mm
QIS/ 4045TF220	TBD	1700	560	125	TBD	1670	560	300
QIS/ 4045HG120	2550	1700	560	125	1975	1670	560	300

WET MASS = Wet engine and radiator (oil, coolant) and full tank.  
NET MASS = Dry engine (without coolant and oil) and empty tank.



Tolerances, if not indicated, according to:		General tolerances					
		1350K - mK					
Name				QIS Box CC		Confidentiality Class	
DIMENSION DRWG				A2		Confidential	
Material						Confidential	
Treatment				ESFAR		INV	
Scale		Family		Compare		Drawing owner	
						4	
Drawn by		Blank nr.		12/08/2015		ESF	
Version Drwg		Blank wt.		2894,353 Kg		Designation	
00						1636011020	
STATUS		Des checked.		Prod checked.		Approved.	
						Date	
Parent 3D model		3D Model Edition					

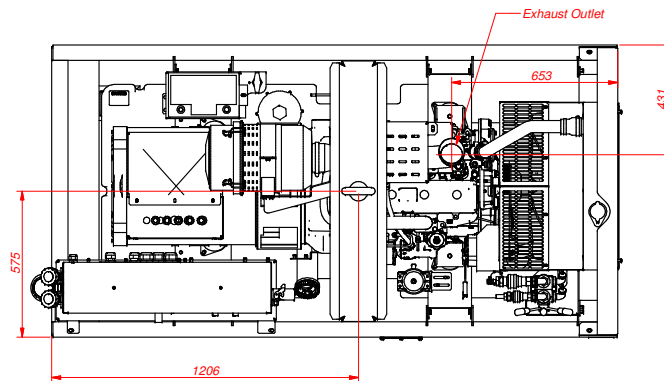
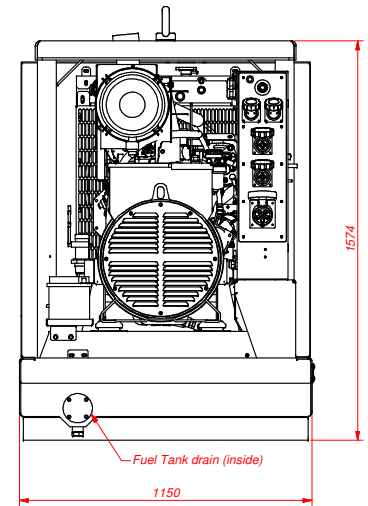
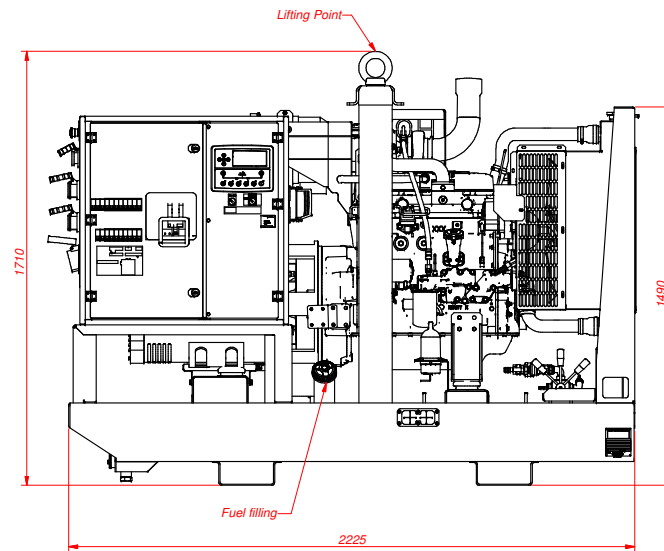
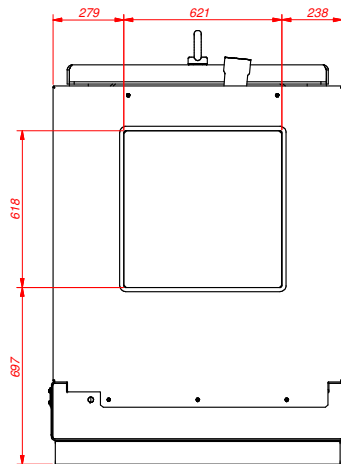
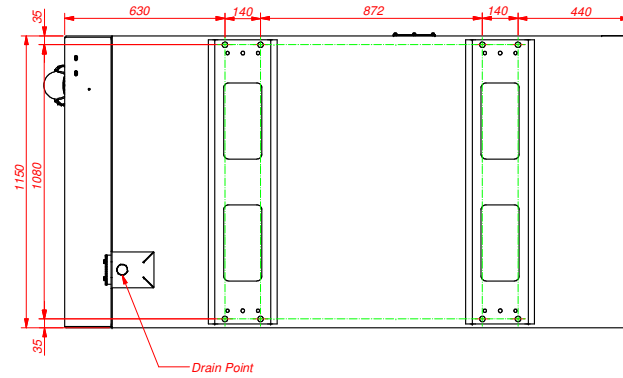
Rest of dimensions are equal to standard unit

1636011020	00
Parent 3D model	3D Model Edition

CONFIDENTIAL: This drawing is the property of Atlas Copco. It shall not be used without our permission. It is not to be copied, used for manufacturing or communicated to any other person or company.

00					
Ed	Position	Modified from	Date	Intr./Appd.	

Q185-90

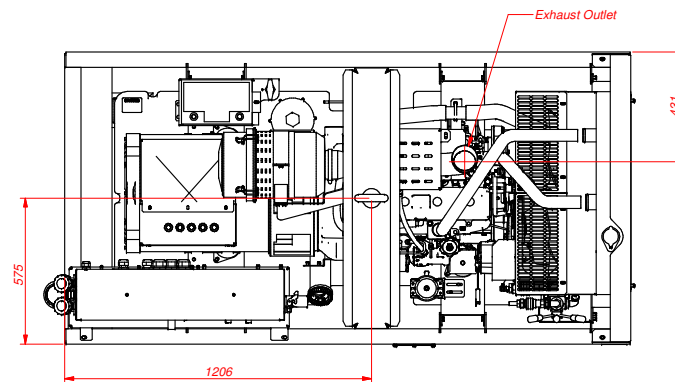
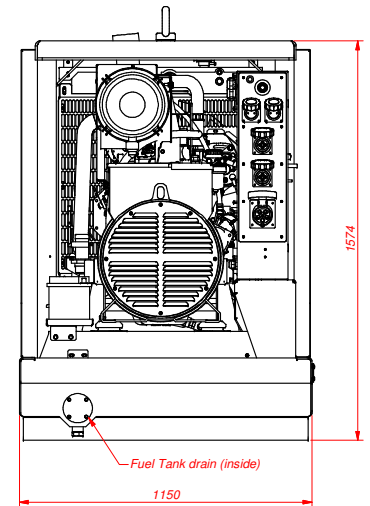
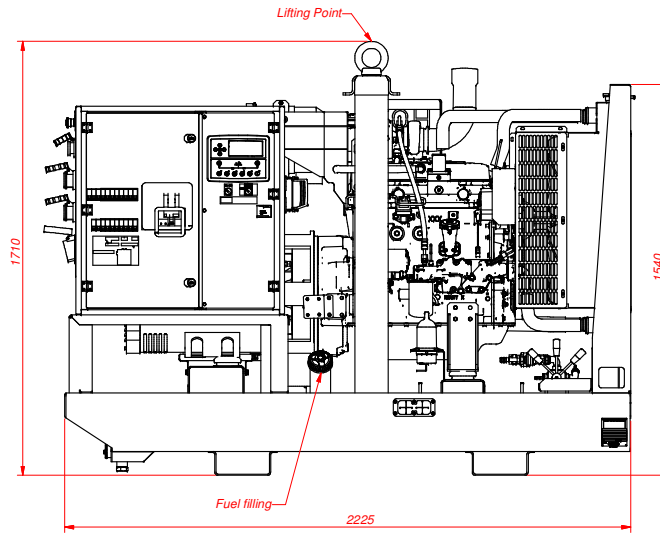
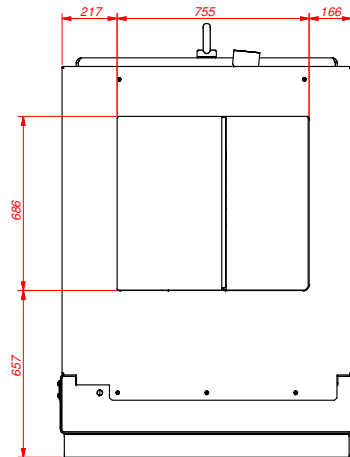
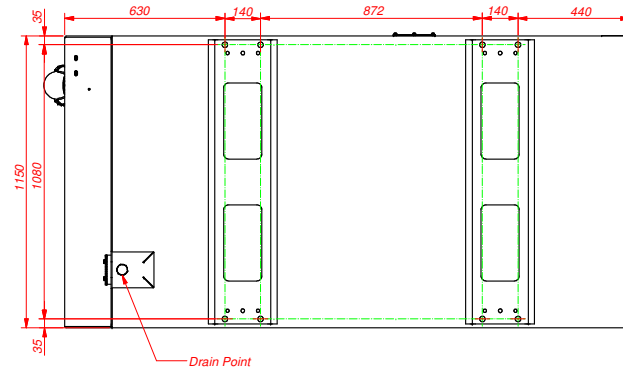


Tolerances, if not indicated, according to:									
Name		DIMENSION DRWG			Box CC			Confidentiality Class acc. to 1102-K	
Material								Confidential	
Treatment		Not Applicable						Thickness: INV	
Scale		Family			A2		Compare		
Drawn by		ESFAR			Blank nr.		Replaces		
Version Drwg		00			Blank wt.		Fini wt. 2894,353 kg		
STATUS		Des checked.			Prod checked.			Approved. Date 12/08/2015	
Parent 3D model		1636011020			3D Model Edition		00		
Drawing owner		ESF			Designation		1636011020		
Sheet		3 / 4							

CONFIDENTIAL: This shall not be used for manufacturing or communication to any other person or company.

00					
Ed	Position	Modified from	Date	Intr./Appd.	

QI 100-110



Tolerances, if not indicated, according to:										
Name		DIMENSION DRWG			Box CC			Confidentiality Class		
Material								Confidential		
Treatment		Not Applicable						Thickness:		INV
		Scale		Family		A2		Compare		Drawing owner
Drawn by		ESFAR		Blank nr.		Replaces				ESF
Version		Dwg 00		Blank wt.		Kg		Fini wt.		2894,353 kg
STATUS		Des checked.		Prod checked.		Approved.		Date		12/08/2015
Parent 3D model		1636011020		3D Model Edition		00		Designation		1636011020
Sheet		4		/		4				

CONFIDENTIAL: This shall not be used for manufacturing or communication to any other person or company.

00					
Ed	Position	Modified from	Date	Intr./Appd.	