

Perkins Generator

Prime: 900KW/1125KVA
Standby: 1000KW/1250KVA

Technical Data

Model		1250kva
Prime power	kva	1125
	kw	900
Standby power	kva	1250
	kw	1000
Rated voltage line to line	V	400
Rated current	A	1624
Maximun sound level	dB@7m	78

Engine-Perkins

Model		4008TAG3
Aspiration		4 stroke, Vertical, In line, Turbo charged,
Fuel system		Direct injection
No. cylinders		8
Displacement	L	30,561
Bore*Stroke	mm	160x190
Compression ratio		13.6:1
Rated speed	r/min	1500
Governor		Electric
Engine size	mm	3852x2046x2067
Engine wet weight	kg	4473
Fire order		1-4-7-6-5-8-5-2-3
Start Motor	V	24
Rotation		Anti-clockwise, viewed on the flyweel

Air inlet

clear filter	mm	127
dirty filter	mm	380

Fuel system

type of injection system		Combined unit injector
Fuel delivery pump pressure	kpa	300

Fuel System

110% load(Standby power)	L/h	269
100% load(Prime power)	L/h	244
75% load(Prime power)	L/h	188
50% load(Prime power)	L/h	120
Fuel capacity for silent genset	L	1450
Fuel capacity for open genset	L	1450

Lubrication System

Oil capacity	L	153
--------------	---	-----

Cooling System

Total coolant capacity	L	149
------------------------	---	-----

Standard Features

Engine(Perkins ENGINE)	●
Radiator 50°C max,fans are driven by belt	●
24V charge alternator	●
Alternator: single bearing alternator IP23	●
insulation class H/H	●
Standard auto control system	●
Main line circuit breaker / ACB	●
Base fuel tank	●
24V batteries, rac and cable	●
Exhaust system(Ripple flex exhaust pipe)	●
Exhaust siphon, flange, muffler	●
User manual	●
Battery charge	●
Water heater	●

Alternator

Model		LSA 50.2 M6
Alternator Brand		Leroy Somer
Phase		3
Voltage	V	400
Wiring Type		6 wires
Bearing		1
Power factor		0,8
Frequency	Hz	50

Prime power	KVA	1250
Exciter Type		Brushless, self-excitation
Voltage regulation	%	±0.5
Protection Grade		IP 23
Insulation grade		H

Controller-Deepsea

Model DSE 8610

7 configurable digital inputs&Synchro use

Built-in governor and AVR control

Base load (kW export) functionality

Mains (utility) de-coupling protection

Generator power (kW, kVA) monitoring

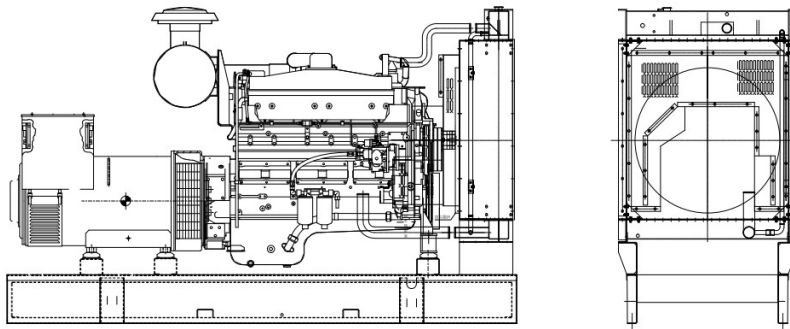
Overload (kW & kV Ar) protection

Emergency stop

Start failure

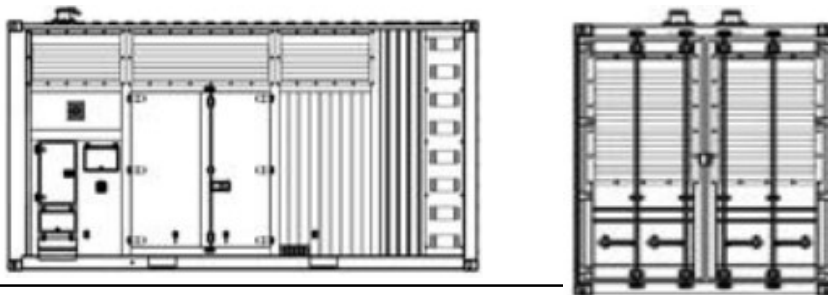


Unit Dimensions(Basic unit)



Open Type

L*W*H	mm	4550*2050*2435
Weight	kg	8270



Silent Type

L*W*H	mm	6096x2438x2896
Weight	kg	12270

Warranty

Perkins Engine

12 months from date of purchase or 1000 hours.

Generator

12 months from date of purchase or 1000 hours

(whichever comes first).